

# Load shackles | Available with SmartLoad® technology



v1.0



## Strainstall's robust load shackles are ideal for lifting and weighing applications where there is limited headroom.

Our load shackles are manufactured from GN or Van Beest shackles as standard, but other manufacturers are available on request.

We provide a fully stainless steel construction (excluding bow) up to 85 tonnes as standard, and fully stainless steel construction for 120 tonnes and above upon request.

We have a large range of shackles available in stock up to 1000 tonnes for purchase or hire, and ready for immediate dispatch. Larger capacities are available on request and all of our load shackles are supplied with full calibration and proof load certificates.

### Options

- Available with SmartLoad® technology
- Cabled or wireless
- Hazardous area Zone 1 and 2
- Subsea - with Subsea – with wet mate able connectors
- Bow or D type

### Features and benefits

- Internally gauged, fully welded and hermetically sealed
- Robust construction
- Internal antenna
- In stock available for immediate dispatch
- Stainless steel centralising load bobbin as standard
- Robust stainless steel protection cage for electronics

Typical specifications	mV/V output	mA output	Wireless output
Rated load		As required	
Proof load		150% of rated load	
Non linearity		< ± 1% of full scale	
Non repeatability		< ± 0.01% of full scale	
Zero balance		< ± 0.01% of full scale	
Environmental protection		IP66 / IP67	
Safety factor		3x	
Operating temperature		-25°C to +70°C	
Storage temperature		-30°C to +80°C	
Cable connection	Gland or connector		N/A
Cable length	5m as standard		N/A
Output signal	mV/V	4-20mA	Wireless
Electrical connection	4 core	2 or 3 wire	N/A
Recommended excitation voltage	10V	N/A	N/A
Maximum excitation voltage	15V	N/A	N/A
Recommended supply voltage	N/A	24V	N/A
Maximum excitation voltage	N/A	30V	N/A
Bridge resistance	700 Ohm	N/A	N/A
Sensitivity	2.0mV/V nominal	N/A	N/A
Data logging	N/A	N/A	On load cell
Battery type	N/A	N/A	3 x AAA or 3 x D
Active battery life	N/A	N/A	Up to 350 hours
Standby battery life	N/A	N/A	Up to 1700 hours
Telemetry frequency	N/A	N/A	2.4Ghz ISM
System range	N/A	N/A	Up to 150m*
Sampling rate	N/A	N/A	10Hz

 **Smartload® load shackles are also available for use in hazardous area Zones 1 and 2** 

*Due to continuous development, Strainstall reserves the right to change specifications without notice.*

*\*System range dependent on line of sight and external interference.*

### Strainstall

Telephone: +44 (0) 1983 203 600  
Email: [hello@besgroup.com](mailto:hello@besgroup.com)  
[www.strainstall.besgroup.com](http://www.strainstall.besgroup.com)

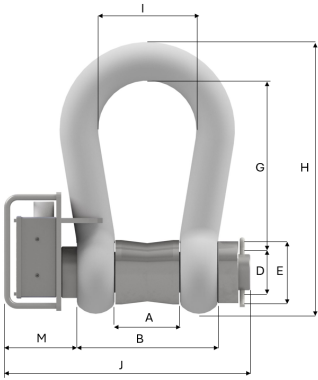
Part of


**BES Group**

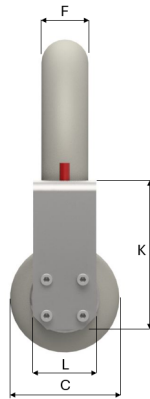
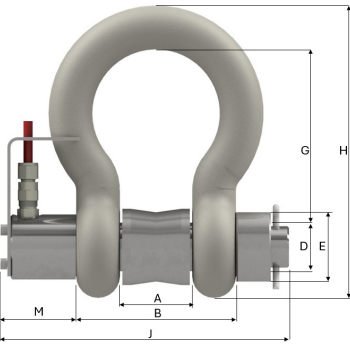
ESTD: 1859

# Load shackle typical dimensions

## Wireless load shackles



## Cabled load shackles



### Load shackle typical dimensions - telemetry

Load rating (tonnes)	8.5	12	17	25	35	55	85	120	150	200	300	400	500	600	700	800	900	1000
Weight (kg) - whole assy	6.1	8.7	12.8	19.4	24.7	48	69	133	164	273	447	665	800	945	1100	1135	1322	1419
A mm	43	51	60	74	83	105	127	147	169	179	205	231	256	285	310	310	330	338/346
B mm	93	115	136	164	183	235	273	337	379	419	485	559	584	675	720	730	770	800
C mm	60	73	89	104	111	145	162	208	238	279	325	376	398	405	435	435	465	480
D mm	28	35	42	50	57	70	83	95	108	130	150	175	185	205	217	217	230	240
E mm	25	32	38	45	50	65	75	95	105	120	140	170	180	195	205	210	220	220
G mm (bow)	95	115	146	176	197	260	329	401	411	514	619	668	718	700	700	700	700	750
H mm (bow)	164	201	249	300	331	433	527	647	689	838	996	1113	1189	1200	1231	1236	1268	1340
K mm (wireless)	200	200	200	200	200	210	220	230	230	230	230	230	230	N/A	N/A	N/A	N/A	325
L mm (wireless)	100	100	100	100	100	110	120	160	160	160	160	160	160	N/A	N/A	N/A	N/A	150

We are always happy to help find the appropriate, tailored solutions for your business needs.  
If you have any requests or suggestions, please do not hesitate to contact us.

8-10 Mariners Way, Cowes, Isle of Wight, PO31 8PD, UK